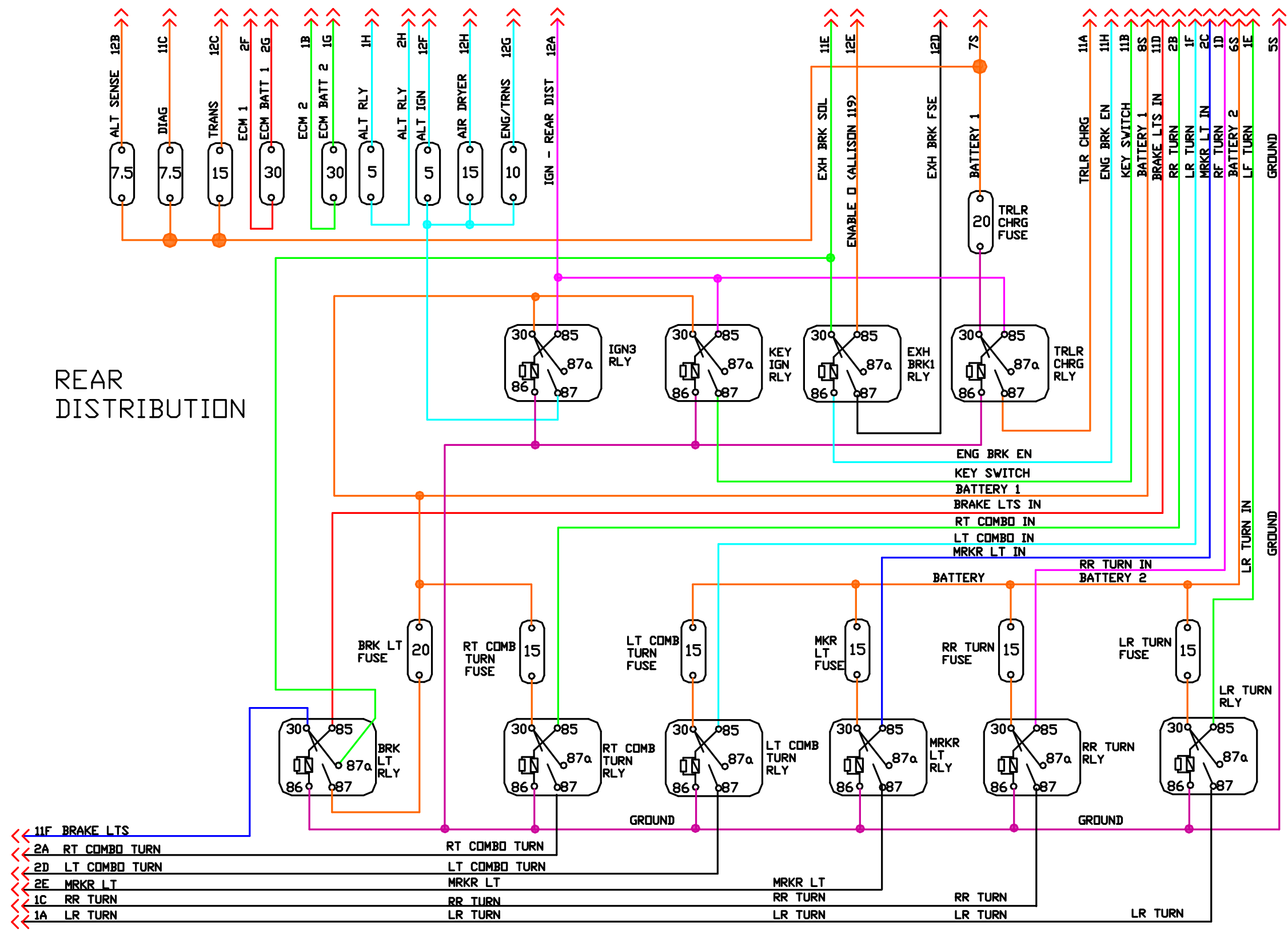


REV.	UNIT	DESCRIPTION OF CHANGE	BY	DATE
A	-	ADDED PART NUMBER, MULTIPLE CHANGES AS NEEDED WERE MADE WHILE COMPLETING THE CHASSIS SCHEMATIC	RNB	10/18/05
B	-	ADDED BUSSMAN CONN INFO, CHANGES FROM HARNESS DESIGNS	RNB	12/7/05



REAR DISTRIBUTION