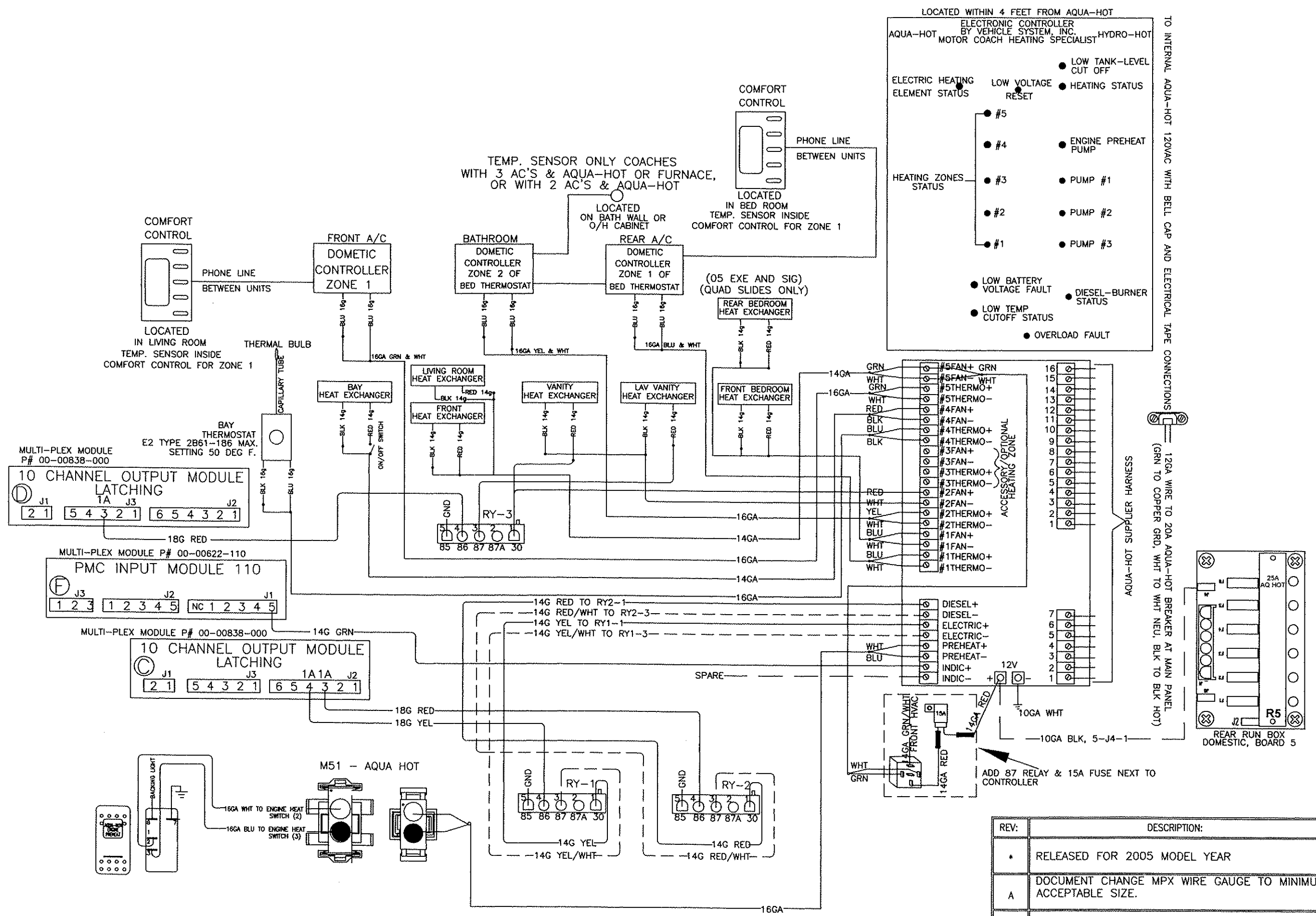


1
2
3
4
5
6
7
8
9
10
11
12
13
14
15
16



REV:	DESCRIPTION:	NAME:	DATE:
*	RELEASED FOR 2005 MODEL YEAR	JLC	4/13/04
A	DOCUMENT CHANGE MPX WIRE GAUGE TO MINIMUM ACCEPTABLE SIZE.	JAR	7/18/04
*			---/--/04

THE MONACO COACH CORP. AND ALL OF ITS SUBSIDIARIES CLAIMS PROPRIETARY RIGHTS IN THE MATERIAL HEREON. NEITHER THIS DRAWING NOR ANY REPRODUCTION THEREOF MAY BE USED TO MANUFACTURE ANYTHING WITHOUT PERMISSION IN WRITING FROM MONACO COACH CORP. OR ANY OF ITS SUBSIDIARIES TO THE USER SPECIFICALLY REFERRING TO THIS DRAWING.

DRAWN BY: JLC
DATE: 4/27/04

CHECKED BY:

UNLESS SPECIFIED DIMENSIONS ARE IN INCHES
.XX ± 1/16" .XXX ± 1/32"
ANGLES ± .5°

MONACO COACH CORP.
HOLIDAY RAMBLER
SAFARI MOTOR COACHES
BEAVER MOTOR COACHES
91320 Coburn Industrial Way Coburn, OR 97408 Ph: (541) 688-8011 Fax: (541) 681-8148

MODEL YEAR: 2005

TITLE: SCHEMATIC, AQUA-HOT SHEET 1 OF 1
SERIES: SIGNATURE DWG.#38050729