

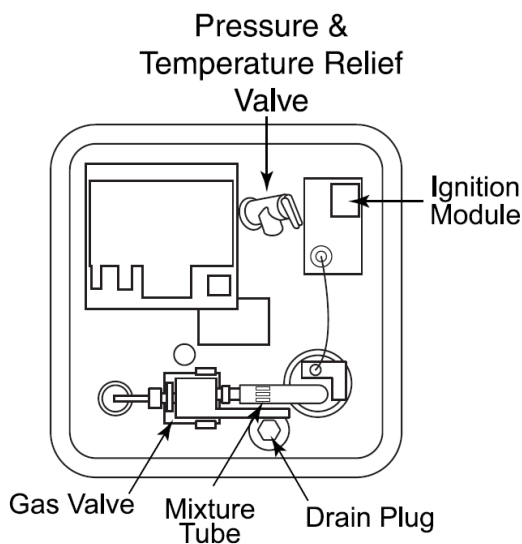
Pressure Temperature Relief Valve

The water heater is equipped with a Pressure-Temperature relief valve. The water heater may discharge from the Pressure-Temperature relief valve during the heating cycle due to thermal expansion of water. The Pressure-Temperature relief valve is designed to open if the water temperature in the tank reaches 210° F (98.8° C), or if internal pressure reaches 150 psi. A small discharge is normal and is not necessarily a faulty valve. The water heater has an internal air pocket to reduce the possibility of dripping or weeping.

Eventually, the expansion of the water will absorb the air pocket. When this occurs, the air pocket will have to be replaced utilizing the following procedure.



CAUTION: Ensure the water heater tank is cool prior to making any check of the valve.



Re-establishing the Air Pocket:

- Step 1: Turn OFF the water heater.
- Step 2: Shut OFF the incoming water supply.
- Step 3: Open the hot water faucet closest to the water heater.
- Step 4: Pull the handle of the relief valve until the flow of water stops.
- Step 5: Close the relief valve allowing it to snap shut. Close the hot faucet and turn ON the water supply.
- Step 6: Turn ON the water heater.

040424C

The air pocket is re-established and the process does not need to be repeated until the next discharge of water from the P & T valve. If the discharge does not stop, contact a qualified service center to evaluate the valve and make any required repairs.