

Damon Corporation claims a copyright and proprietary rights to this document and the information contained herein. It is proprietary information and confidential. This drawing may not be reproduced or given to any unauthorized agent, nor can anything be manufactured with its information without written consent from Damon Corporation.

LET

REVISION

DATE

BY

ECN #

DESCRIPTION:

DAMON CORPORATION

Initial Release.

04/09/08

JWS 09-0028

HARNESS, BELOW FLOOR
DRIVER-SIDE
DIMS & BREAKOUTS

Dr. By JWS

DATE: 04/09/08

Ch. By

SHEET 3 of 4

File No.

SAME

Ap. By

Drawing No.

17-11-1594

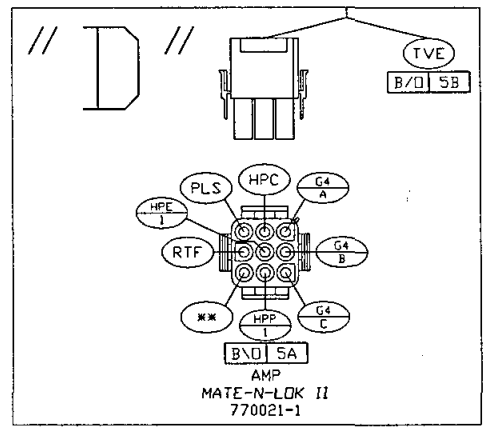
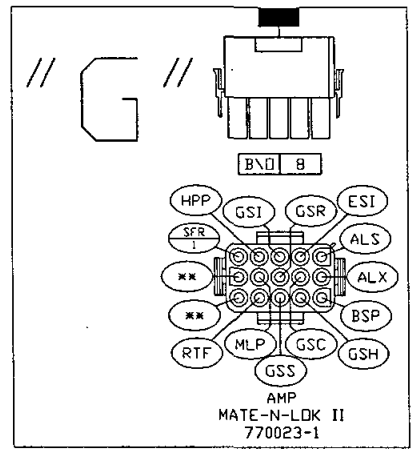
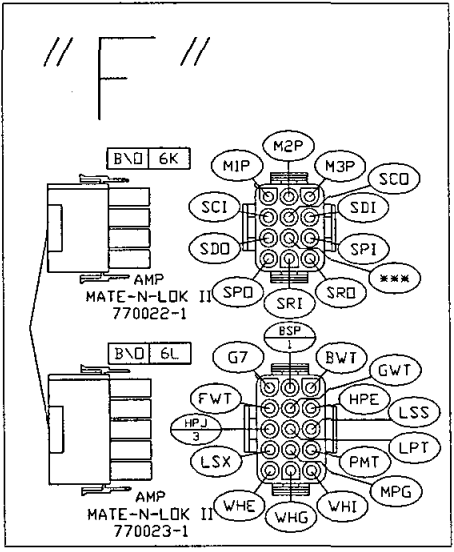
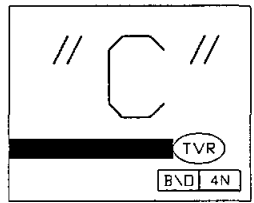
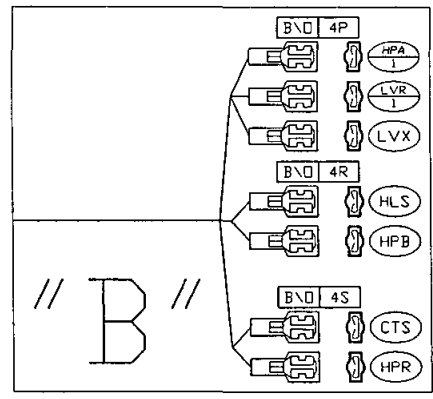
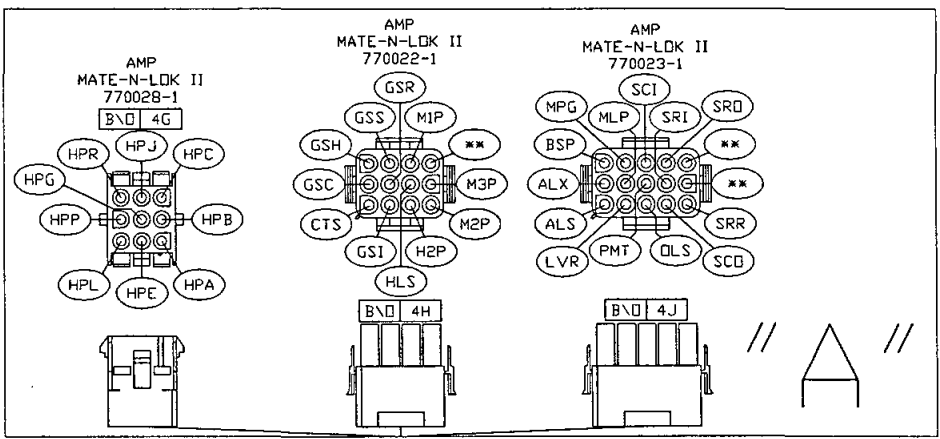


TOLERANCE
DEC: ±0.01
FRAC: ±1/16"
DEGREE: ±1°
DO NOT SCALE

MODELS: 4051

R13 R13-JD R2005

CLASS: TOW C A BUS



Damon Corporation claims a copyright and proprietary rights to this document and the information contained herein. It is proprietary information and confidential. This drawing may not be reproduced or given to any unauthorized agent, nor can anything be manufactured with its information without written consent from Damon Corporation.

Damon

TOLERANCE
DEC: ±0.01
FRAC: ±1/16"
DEGREE: ±1°
DO NOT SCALE

LET	REVISION	DATE	BY	ECN #
	Initial Release	04/09/08	JWS	09-0028

DESCRIPTION:
HARNESS, BELOW FLOOR
PASSENGER-SIDE
CONNECTOR DETAILS

MODELS: 4051
 R13 R13-3D R2005

CLASS: TOW C A BUS

DAMON CORPORATION
Dr. By JWS DATE: 04/09/08
Ch. By SHEET 4 of 4
File No. SAME
Ap. By Drawing No. 17-11-1594