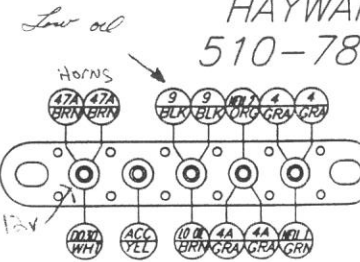
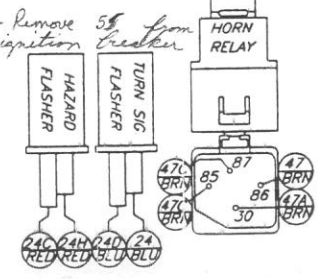
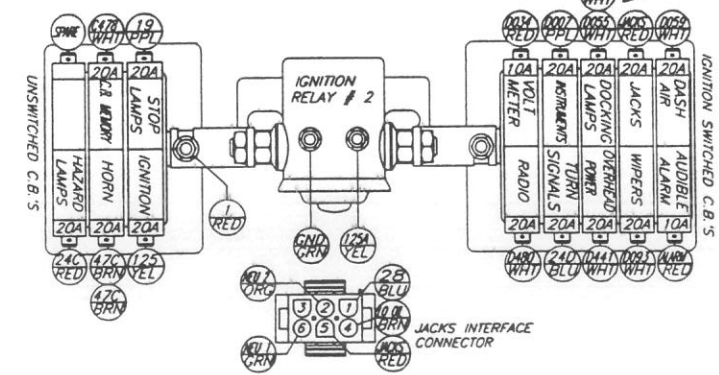
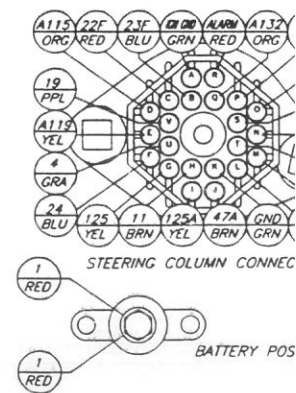
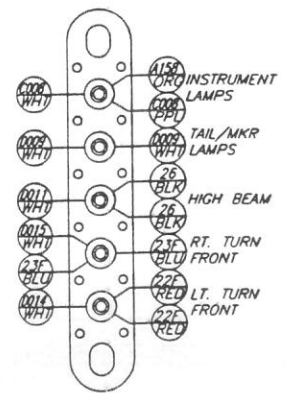
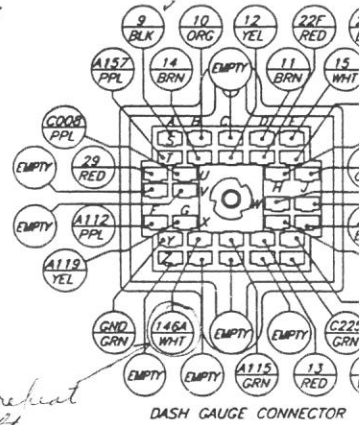


HAYWARD, CA.
510-785-1500



NOTE:
1. ALL MULTI-WAY CONNECTORS ILLUSTRATED FROM THE WIRE INSERTION END

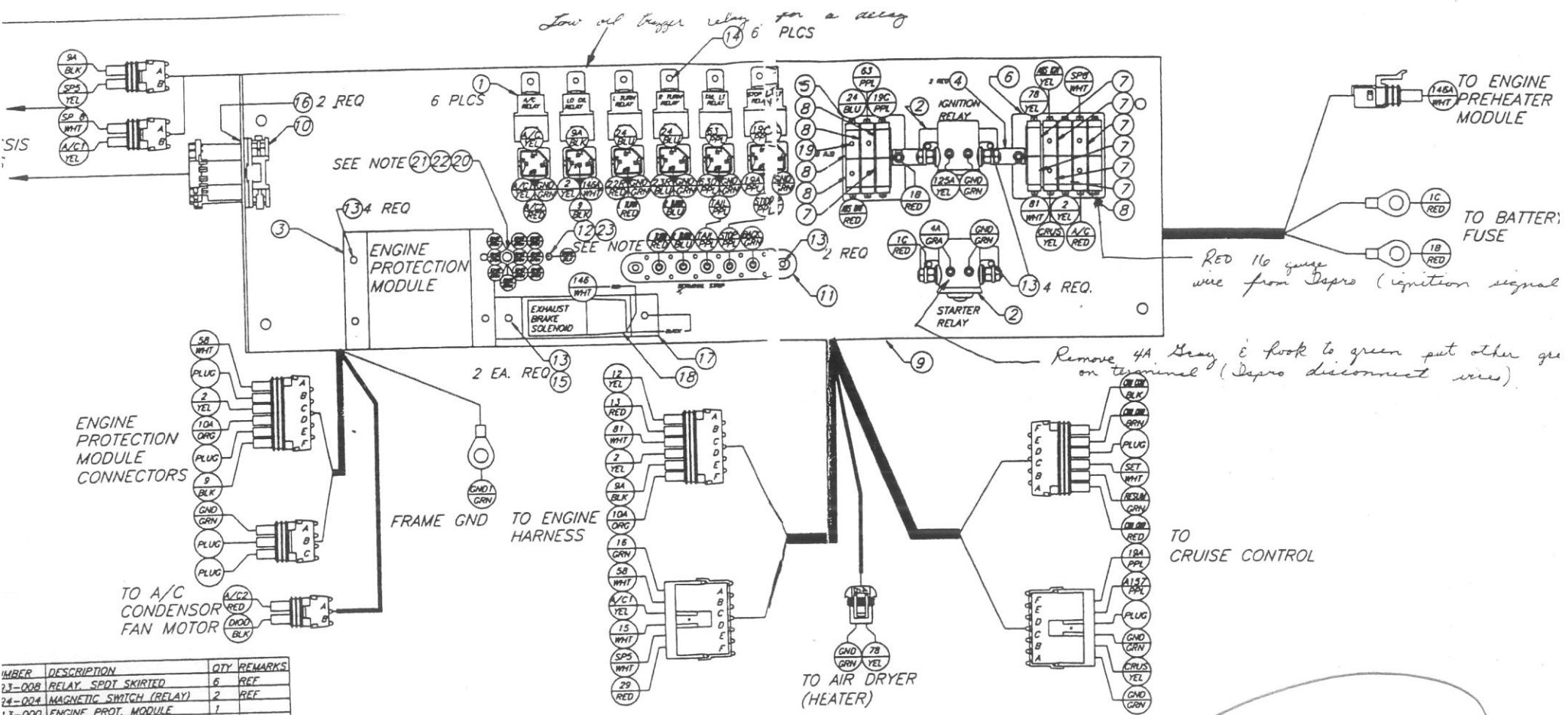


Remove 58 from ignition breaker

NEXT ASSY:		Ve.		REV. DATE	REV. NUMBER	REV. DATE	REV. NUMBER
SUPERSEDES:							
LEFT HAND PART ALWAYS SHOWS RIGHT HAND OPPOSITE. SPECIFY RH PART WITH 'R' SUFFIX ON RELEASE.							
RH PART NUMBER							
WELDS PER GIL-10688 CLASS				REL. FOR PROD. (V.O. 20597)			
CLEAN & PRIME PER GIL-15393				REV. BY: [signature]			
REF. LAYOUT				SCALE			
DO NOT SCALE DWG.				MARK PART NUMBER ON ALL PARTS			

This drawing and the information contained therein is submitted confidentially and is the property of The GILLIG CORPORATION. Its reproduction or disclosure of the content of this drawing or any portion thereof for any purpose must be approved in writing by The GILLIG CORPORATION.

Front Panel



NUMBER	DESCRIPTION	QTY	REMARKS
23-008	RELAY, SPDT SKIRTED	6	REF
24-004	MAGNETIC SWITCH (RELAY)	2	REF
13-000	ENGINE PROT. MODULE	1	
94-000	BUSS BAR	2	REF
59-020	FUSE PANEL (6-WAY)	1	REF
59-022	FUSE PANEL (10-WAY)	1	REF
59-053	CIRCUIT BREAKER (15A)	7	
59-054	CIRCUIT BREAKER (20A)	4	
26-000	REAR ELECTRICAL PANEL	1	REF
74-000	HARNESS, REAR PANEL	1	REF
08-007	5-WAY TERMINAL STRIP	1	REF
74-000	DIODE (12A)	1	REF
162-005	SCREW 1/4-20 SELF TAP	1	REF
188-005	SCREW #10 SELF TAP	1	REF
105-002	WASHER 1/4 FENDER	2	
140-005	NUT 1/4-20 NYLOCK	2	REF
173-000	SOLENOID BRACKET	1	REF
274-000	SOLENOID (12V)	1	REF
288-007	SCREW #10 SELF TAP	8	REF
500-007	FLAT WASHER 5/16	2	REF
318-002	CAPSCREW 5/16	8	REF
540-005	NUT 5/16-18 NYLOCK	1	REF
546-003	#10-32 NUT	1	REF

NOTE:
CLEAN PAINT AND FOREIGN MATERIAL FROM PANEL WHERE GND CONNECTION AND DIODE CONNOC TO THE PANEL

Rear Panel

COMPUTER GENERATED
DO NOT CHANGE ORIGINAL

NEXT ASSY.	VL								
SUPERSEDES:									
LEFT HAND PART ALWAYS SHOWN RIGHT HAND OPPOSITE.									
SPECIFY PAL PART WITH 'R' SUFFIX ON RELEASE									
PAL PART NUMBER:									
VELBS PER GIL-10688 CLASS									
CLEAN & PRIME PER GIL-15393									
REVISED BY	DATE	REVISION	RENUMBER	APPROVE	DATE	DATE	DATE	DATE	DATE

13 REVISED BY: M.H. DATE: 06/14/84
A REVISED BY: M.H. DATE: 06/14/84
188A REVISED BY: M.H. DATE: 06/14/84

TITLE: SCHEM/INSTL, RR ELEC
M.H.

REVISION: 1
DATE: 06/14/84
DATE: 06/14/84
DATE: 06/14/84