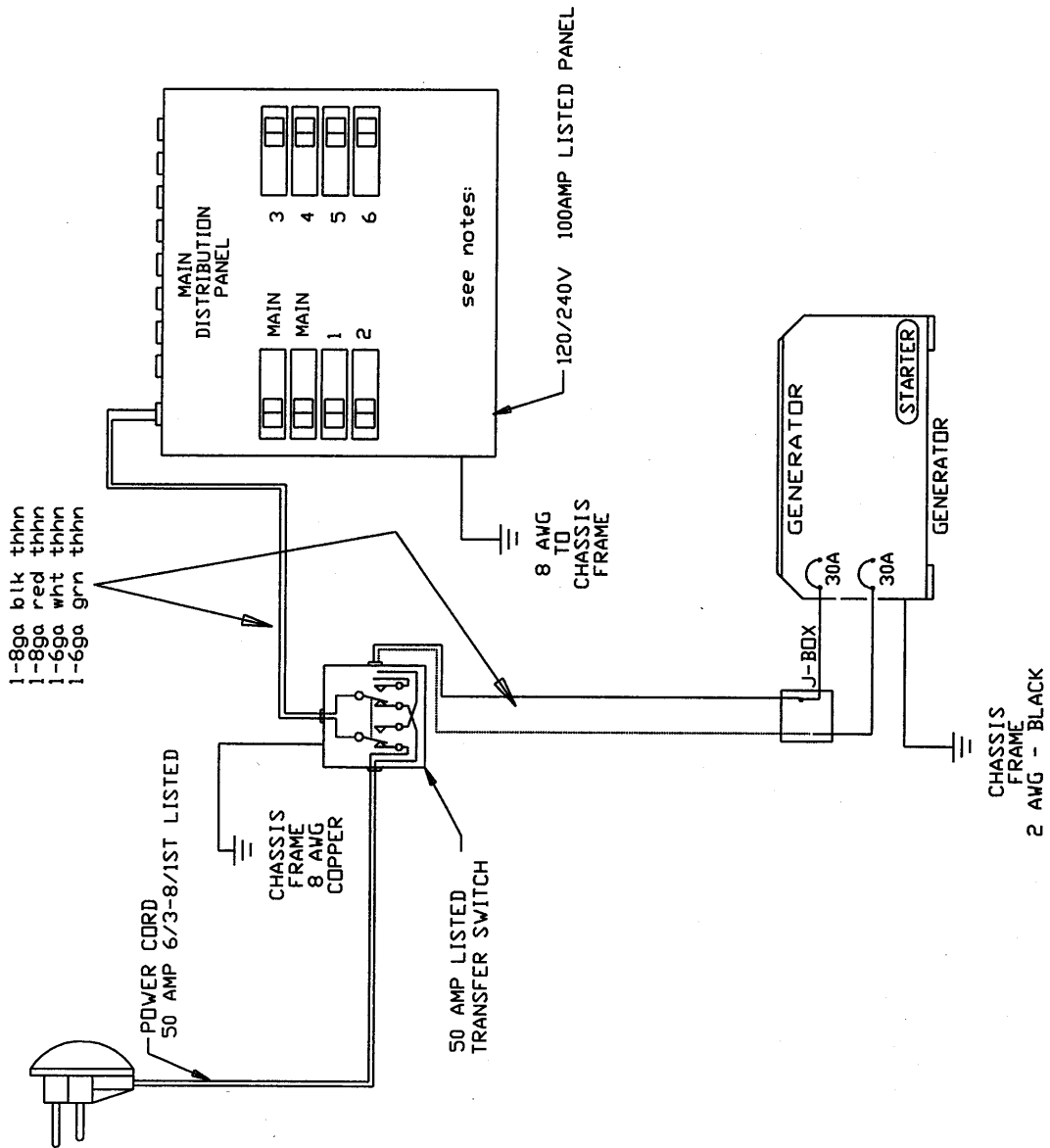


Notes:
 ALL CIRCUITS WIRED WITH 12/2 ROMEX TYPE NM
 For circuit assignments, reference
 the applicable model's 120 vac chart



HOLIDAY RAMBLER L.L.C. CLAIMS PROPRIETARY RIGHTS IN THE MATERIAL DISCLOSED HEREON. NEITHER THIS DRAWING NOR ANY REPRODUCTION THEREOF MAY BE USED TO REPRODUCE OR TRANSMIT INFORMATION IN WRITING FROM HOLIDAY RAMBLER TO THE USER SPECIFICALLY REFERRING TO THIS DRAWING.

UNLESS SPECIFIED:
 DIMENSIONS ARE IN INCHES
 .XX 1/64 TO .XXX 1/32
 ANGLES (PLUS OR MINUS) 0-30°

THE HOLIDAY RAMBLER L.L.C. CLAIMS PROPRIETARY RIGHTS IN THE MATERIAL DISCLOSED HEREON. NEITHER THIS DRAWING NOR ANY REPRODUCTION THEREOF MAY BE USED TO REPRODUCE OR TRANSMIT INFORMATION IN WRITING FROM HOLIDAY RAMBLER TO THE USER SPECIFICALLY REFERRING TO THIS DRAWING.

RELEASED TO PRODUCTION	EST.	DATE	BY
		3/26/97	E. THOMAS
REVISED		DATE	BY

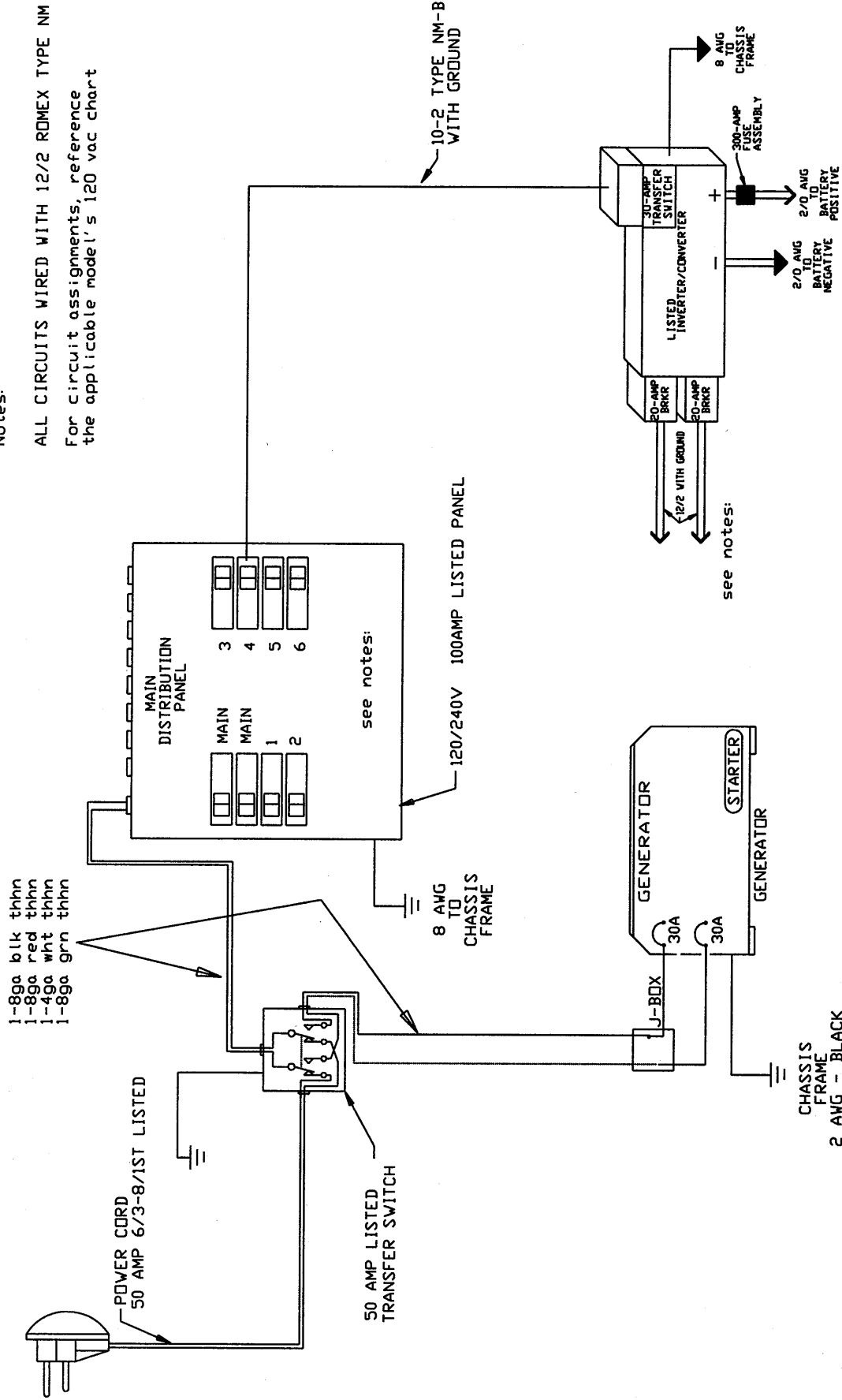
HOLIDAY RAMBLER DIV
 of MONACO COACH CORP.

DO NOT SCALE DRAWING

TITLE	MODEL	ALL	SHEET	REV:
SCHEMATIC, 120V 50A			1	A
SERIES:			OF	
ENDD			1	

38980521

Notes:
 ALL CIRCUITS WIRED WITH 12/2 RDMEX TYPE NM
 For circuit assignments, reference
 the applicable model's 120 vac chart



D	ADDED LAPALMA USAGE TO CHART	JCA	10/11/99	THE HOLIDAY RAMBLER LLC CLAIMS PROPRIETARY RIGHTS IN THE MATERIAL DISCLOSED HEREON. NEITHER THE DRAWING NOR ANY REPRODUCTION THEREOF MAY BE USED TO MANUFACTURE ANYTHING WITHOUT PERMISSION IN WRITING FROM HOLIDAY RAMBLER TO THE USER SPECIFICALLY REFERENCING TO THIS DRAWING.
C	CHANGE SVRT THRM TO 4GA & 6GRN THRM TO 6GA	EST	6/16/98	UNLESS SPECIFIED
B	ADD DIPLOMAT USAGE	EST	12/11/98	HOLIDAY RAMBLER DIV
A	RELEASED TO PRODUCTION	EST	3/26/97	of MONACO COACH CORP.
LET.	REVISION	BY	DATE	ANGLES (PLUS OR MINUS) 0-.30"
			3/26/97	DIMENSIONS ARE IN INCHES
				.XX .997.08 .XX .997.030
				DO NOT SCALE DRAWING
				ENDD/DIPLOMAT/LAPALMA
				SHEET 1 OF 1
				REV: D
				DWG. No. 38980521

DWG.# 38000270

REV: A

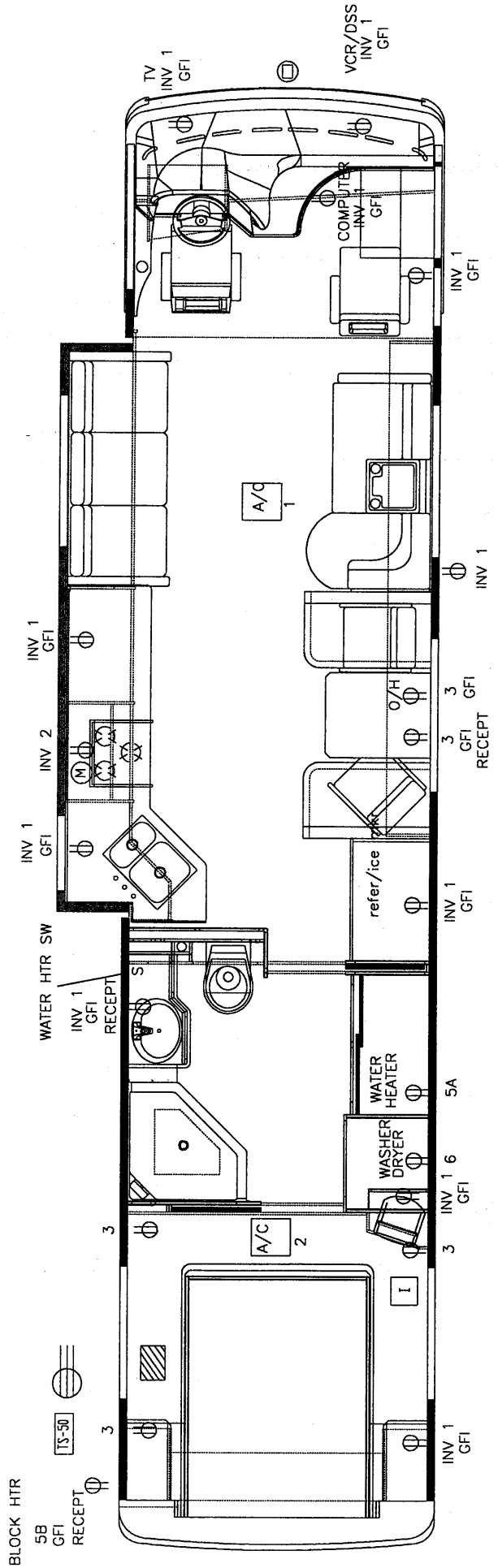
L1	L2	BREAKER	DESCRIPTION
		50A	MAIN
		50A	MAIN
1		20A	FRONT A/C
	2	20A	REAR A/C
3		20A	BEDROOM, DINETTE (GFI), O/H,
	4	30A	INVERTER
	*INV 1	20A	BATH (GFI), KITCHEN, (1) BEDROOM RECEPTS, REAR TV, REFER, LL, PATIO, FRONT TV, VCR/DSS, GPTR
	*INV 2	20A	MICROWAVE
5A		20A	WATER HEATER
5B		20A	BLOCK HEATER
	6	15A	WASHER/DRYER

* OUTPUT FROM INVERTER

LEGEND

ITEM	DESCRIPTION	SYMBOL
1	GENERATOR	⊕
2	50-AMP BREAKER BOX	▨
3	50 AMP POWER CORD	⊖
4	RECEPT, DOUBLE (WHITE)	⊖
5	RECEPT, GFI (WHITE)	⊖
6	50-AMP TRANSFER SWITCH	TS-50
7	RECEPT, SINGLE (WHITE)	⊖
8	INVERTER	I
9	MICROWAVE	Ⓜ

38WDS/WDD



THE MONACO COACH CORP. AND ALL OF ITS SUBSIDIARIES CLAIMS PROPRIETARY RIGHTS IN THE MATERIAL HEREON. NEITHER THIS DRAWING NOR ANY REPRODUCTION THEREOF MAY BE USED TO MANUFACTURE ANYTHING WITHOUT PERMISSION IN WRITING FROM MONACO COACH CORP. OR ANY OF ITS SUBSIDIARIES TO THE USER SPECIFICALLY REFERRING TO THIS DRAWING.

CHECKED BY: EST
DATE: 5/12/99

UNLESS SPECIFIED, DIMENSIONS ARE IN INCHES
.XX .05 .XXX .030
ANGLES (PLUS OR MINUS) 0° -30°

MONACO COACH CORP
HOLIDAY RAMBLER
DO NOT SCALE DRAWING

TITLE: CHART, 120V, 50A WINV
SERIES: ENDD
DWG.# 38000270

SHEET 1 OF 1
REV: A

AUTOCAD R14

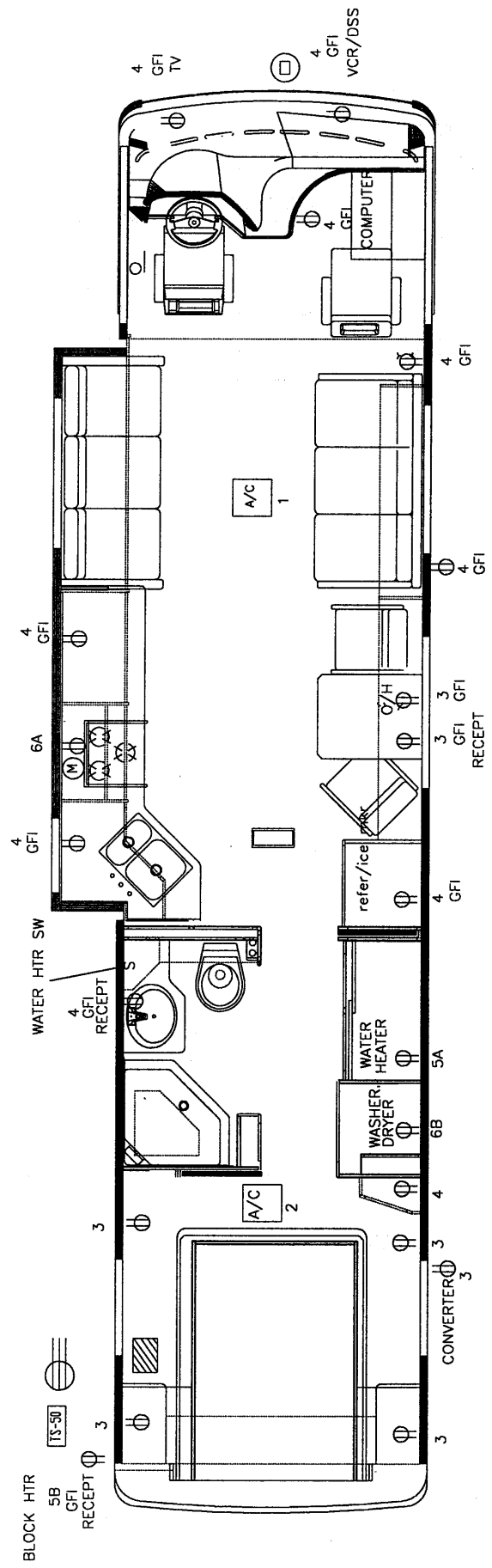
DWG.# 38000272 REV: A

L1	L2	BREAKER	DESCRIPTION
		50A	MAIN
		50A	MAIN
1		20A	FRONT A/C
	2	20A	REAR A/C
3		20A	BEDROOM, CONV, DINETTE (GFI), O/H
	4	20A	BATH (GFI), KITCHEN, REAR TV, REFER, LL, PATIO, FRT TV, VCR, CPTR
5A		20A	WATER HEATER
5B		20A	BLOCK HEATER
	6A	20A	MICROWAVE
	6B	15A	WASHER/DRYER

38WDS/WDD

LEGEND

ITEM	DESCRIPTION	SYMBOL
1	GENERATOR	(G)
2	50-AMP BREAKER BOX	(Hatched Box)
3	50 AMP POWER CORD	(Circle with 3 lines)
4	RECEPT, DOUBLE (WHITE)	(Circle with 2 lines)
5	RECEPT, GFI (WHITE)	(Circle with 1 line)
6	50-AMP TRANSFER SWITCH	(Box with TS-50)
7	RECEPT, SINGLE (WHITE)	(Circle with 1 line)
8	INVERTER	(Box with I)
9	MICROWAVE	(Circle with M)



UNLESS SPECIFIED DIMENSIONS ARE IN INCHES XX ANGLES (PLUS OR MINUS) 0 -30'

CHECKED BY: _____ DATE: 5/12/99

DRAWN BY: _____ EST

TITLE: MONACO COACH CORP HOLIDAY RAMBLER

SERIES: _____

DO NOT SCALE DRAWING

CHART, 120V 50A

DWG.# 38000272

SHEET 1 OF 1

REV: A

AUTOCAD R14

REV.	DESCRIPTION OF CHANGE	DATE
1	ADDED BREAKER FOR WASH/DRYER	12/2/97
2	ADDED BREAKER FOR WASH/DRYER	12/2/97
3	ADDED BREAKER FOR WASH/DRYER	12/2/97

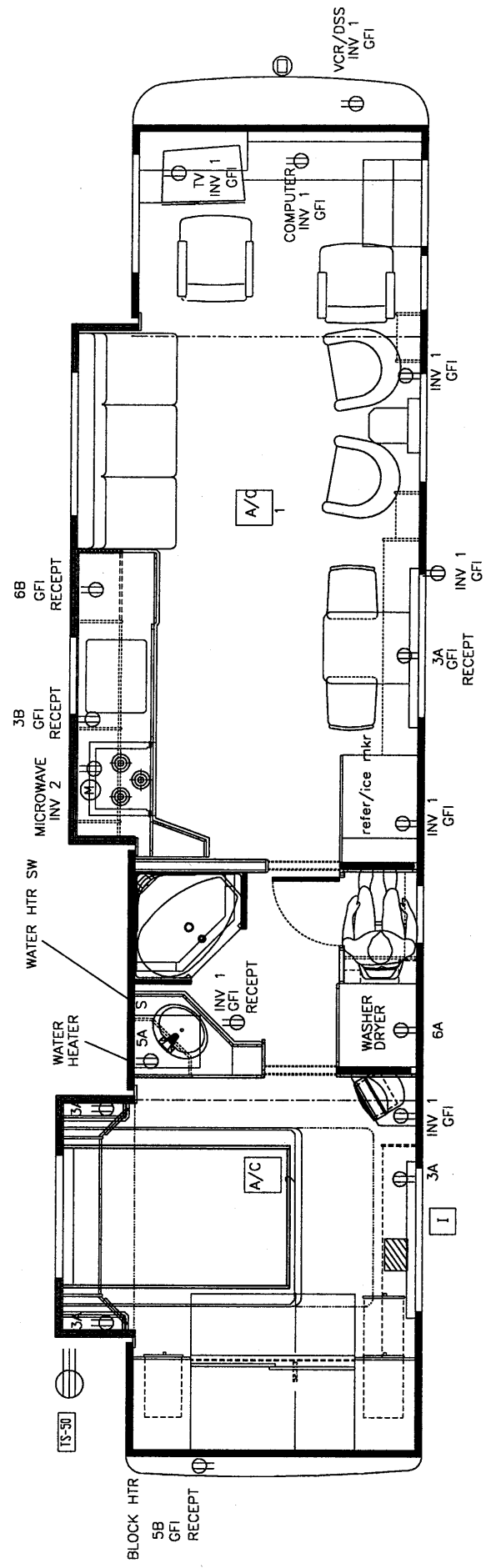
LEGEND

ITEM	DESCRIPTION	SYMBOL
1	GENERATOR	⊖
2	50-AMP BREAKER BOX	▨
3	50 AMP POWER CORD	⊖
4	RECEPT, DOUBLE (WHITE)	⊖
5	RECEPT, GFI (WHITE)	⊖
6	50-AMP TRANSFER SWITCH	TS-50
7	RECEPT, SINGLE (WHITE)	⊖
8	INVERTER	I
9	MICROWAVE	M

L1	L2	BREAKER	DESCRIPTION
		50A	MAIN
		50A	MAIN
1		20A	FRONT A/C
	2	20A	REAR A/C
3A		15A	BEDROOM, DINETTE (GFI)
3B		15A	KITCHEN (GFI)
	4	30A	INVERTER
	*INV 1	15A	BATH (GFI); (1) BEDROOM RECEPTS, REAR TV, REFER, LL, PATIO, FRONT TV, VCR/DSS, CPTR
	*INV 2	15A	MICROWAVE
5A		15A	WATER HEATER
5B		15A	BLOCK HEATER
	6A	15A	WASHER/DRYER
	6B	15A	KITCHEN (GFI)

40PBD W/INV
CSA ONLY

* OUTPUT FROM INVERTER



THE MONACO COACH CORP. AND ALL OF ITS SUBSIDIARIES CLAIMS PROPRIETARY RIGHTS IN THE MATERIAL HEREON. NEITHER THIS DRAWING NOR ANY REPRODUCTION THEREOF MAY BE USED TO MANUFACTURE ANYTHING WITHOUT PERMISSION IN WRITING FROM MONACO COACH CORP. OR ANY OF ITS SUBSIDIARIES TO THE USER SPECIFICALLY REFERRING TO THIS DRAWING.

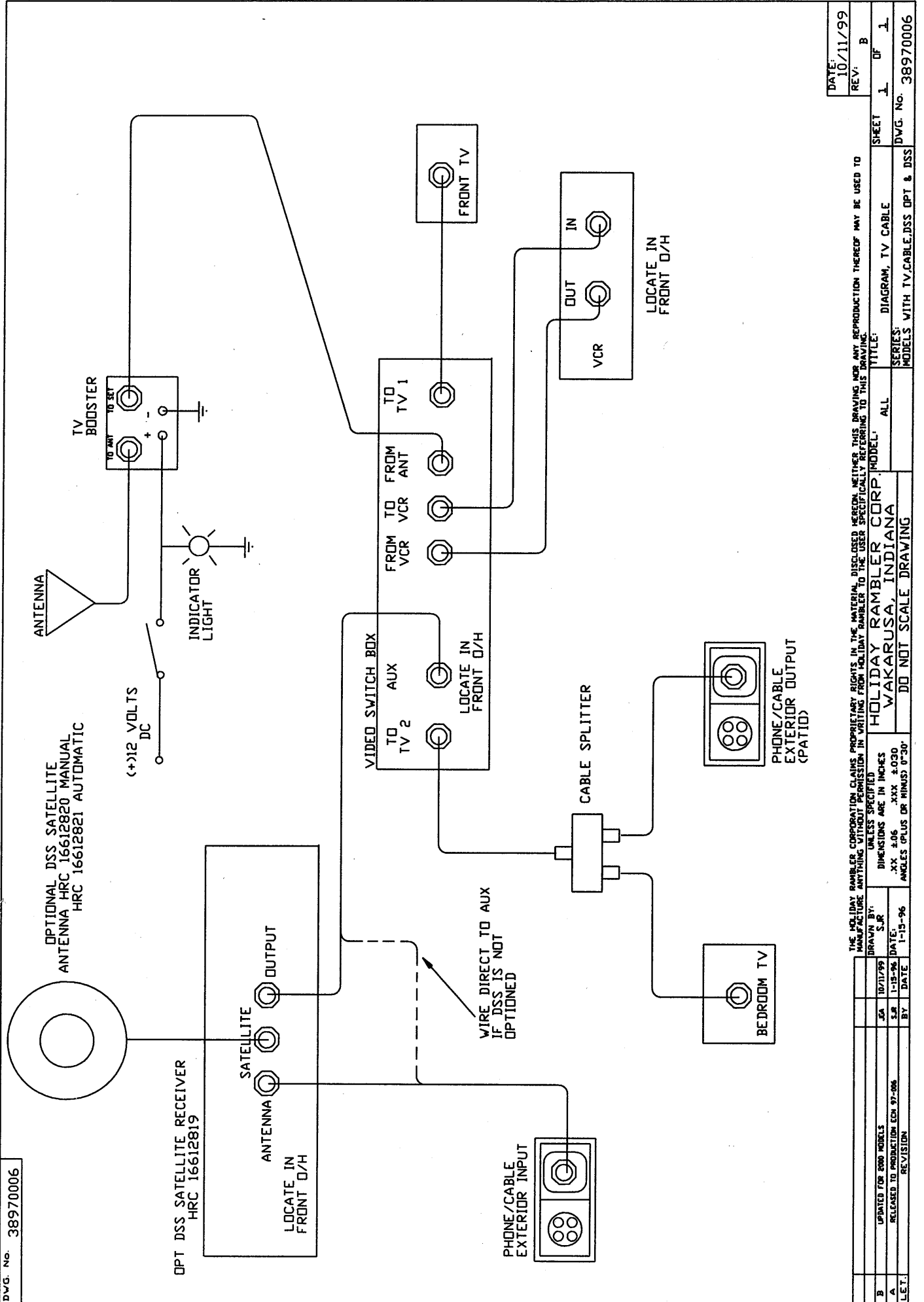
CHECKED BY: _____ DATE: 9/28/99

DRAWN BY: EST DATE: 9/28/99

UNLESS SPECIFIED DIMENSIONS ARE IN INCHES XX.XX .06 .030 ANGLES (PLUS OR MINUS) 0 -30'

MONACO COACH CORP TITLE: CHART_120V HOLIDAY RAMBLER SERIES: DO NOT SCALE DRAWING

DIP/ENDD DWG.# 38000447 SHEET 1 OF 1 REV. B



OPTIONAL DSS SATELLITE ANTENNA HRC 16612820 MANUAL HRC 16612821 AUTOMATIC

OPT DSS SATELLITE RECEIVER HRC 16612819

SATELLITE ANTENNA OUTPUT LOCATE IN FRONT O/H

VIDEO SWITCH BOX TO TV 1 TO TV 2 AUX LOCATE IN FRONT O/H

CABLE SPLITTER

VCR LOCATE IN FRONT O/H

PHONE/CABLE EXTERIOR OUTPUT (PATIO)

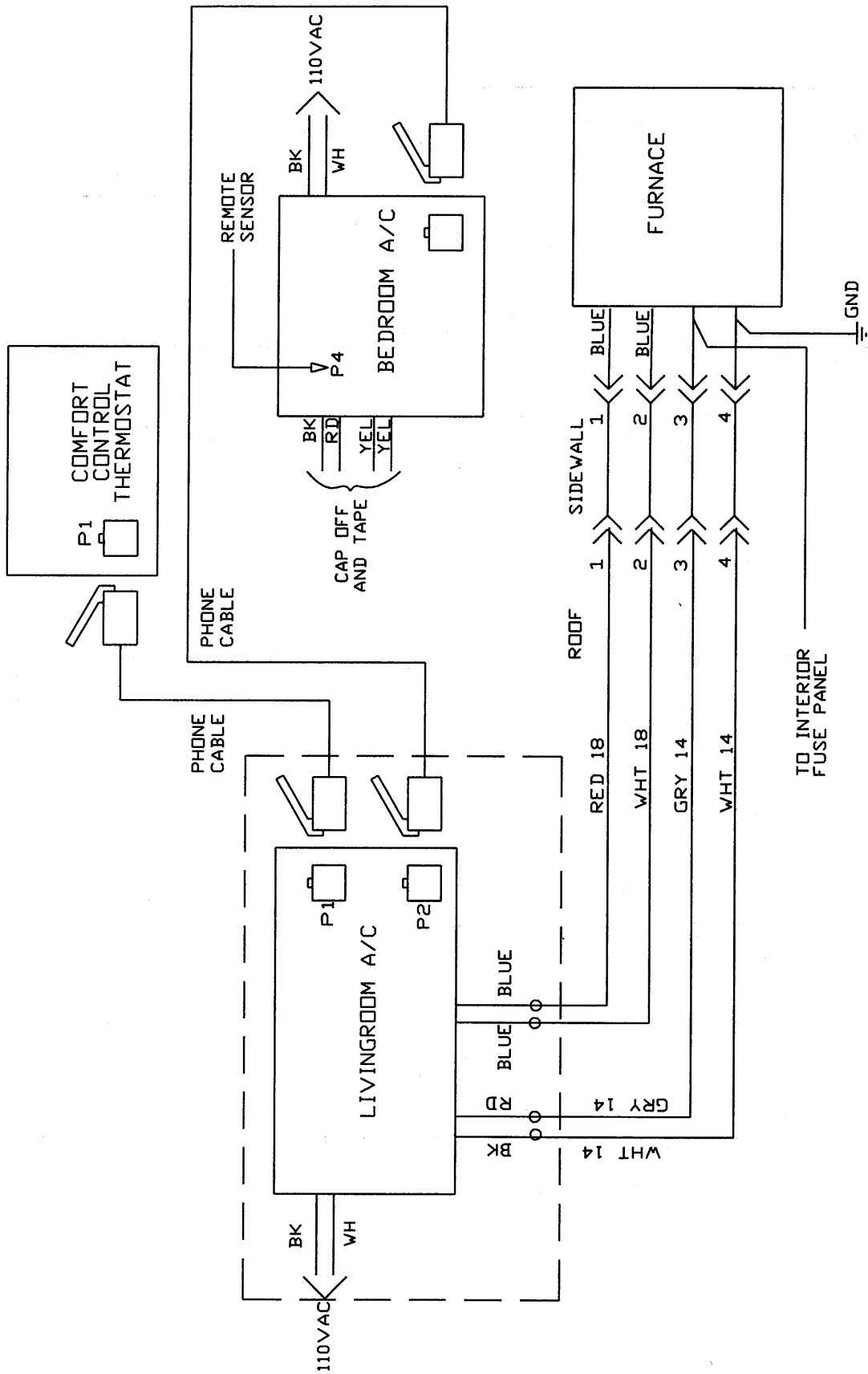
BEDROOM TV

WIRE DIRECT TO AUX IF DSS IS NOT OPTIONED

DATE:	10/11/99
REV.:	B
SHEET:	1 OF 1
DWG. No.:	38970006
TITLE:	DIAGRAM, TV CABLE
SERIES:	MODELS WITH TV,CABLE,DSS OPT & DSS
MODEL:	ALL
MANUFACTURER:	HOLIDAY RAMBLER CORP. WAKARUSA, INDIANA
UNLESS SPECIFIED DIMENSIONS ARE IN INCHES .XX ±.06 .XXX ±.030 ANGLES (PLUS OR MINUS) 0°-30°	
DRAWN BY:	S.J.R.
DATE:	1-15-96
BY:	1-15-96
DATE:	
RELEASED TO PRODUCTION ECR 97-006	
REVISION	
FOR 2000 MODELS	
DATE:	10/11/99
BY:	J.A.

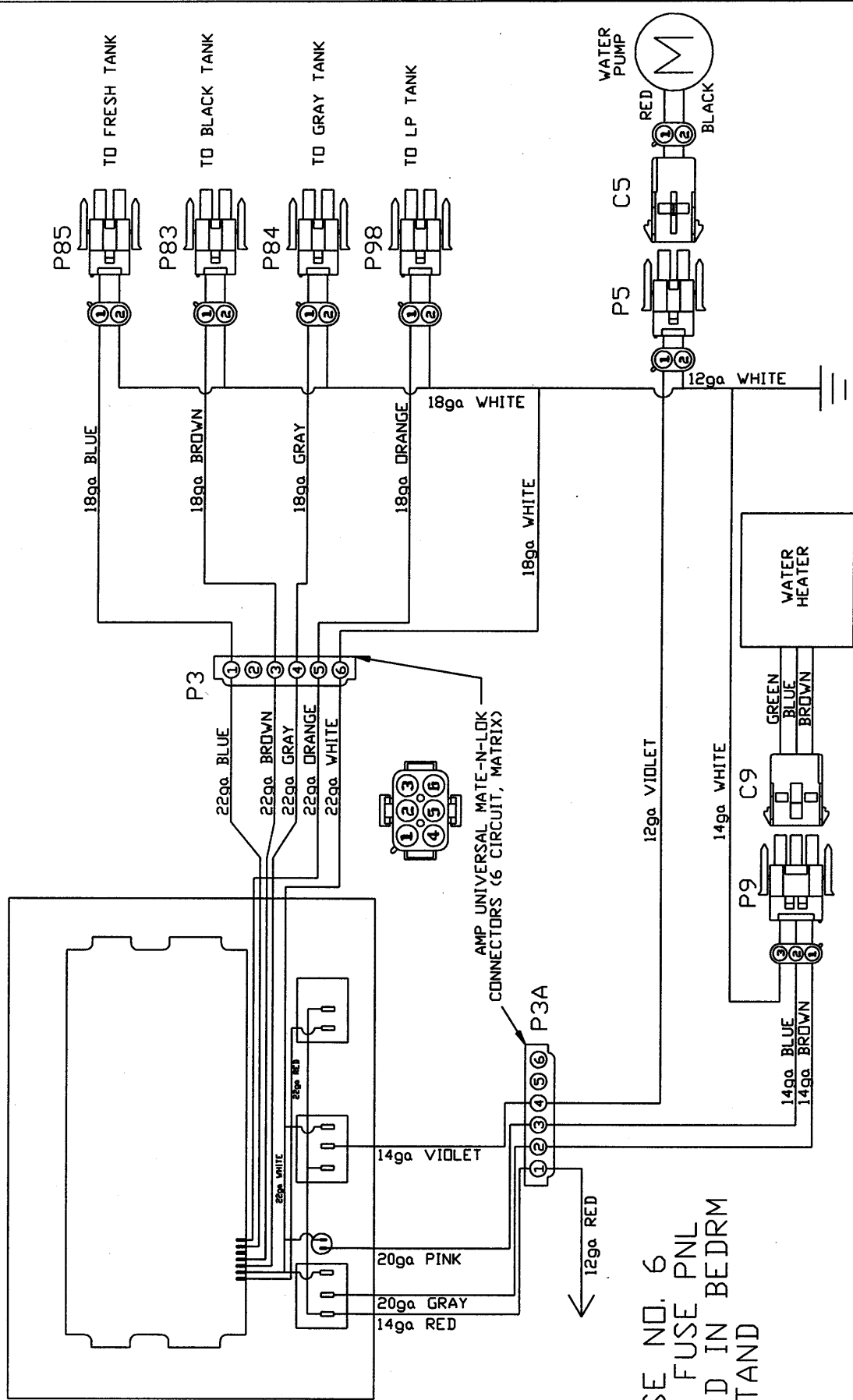
THE HOLIDAY RAMBLER CORPORATION CLAIMS PROPRIETARY RIGHTS IN THE MATERIAL DISCLOSED HEREON. NEITHER THIS DRAWING NOR ANY REPRODUCTION THEREOF MAY BE USED TO MANUFACTURE ANYTHING WITHOUT PERMISSION IN WRITING FROM HOLIDAY RAMBLER TO THE USER SPECIFICALLY IDENTIFIED HEREON.

38970164



12/20/96 DWG. No. 38970362

KIB PANEL MODEL K24W
VIEWED FROM BACK

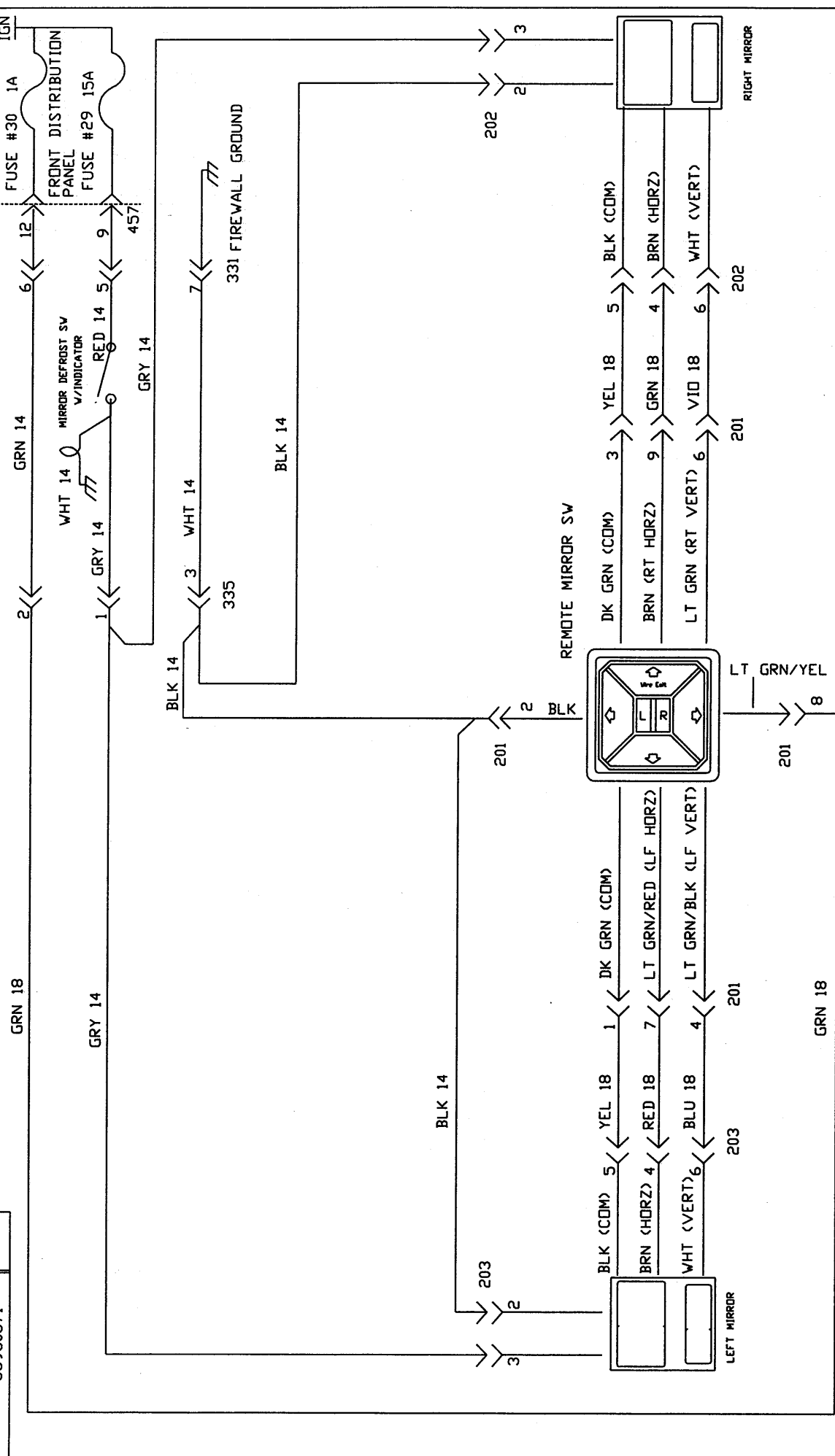


TO FUSE NO. 6
OF 12V FUSE PNL
LOCATED IN BEDRM
NIGHTSTAND

DATE:		REV: A	
DRAWN BY: E. THOMAS		SHEET 1 OF 1	
UNLESS SPECIFIED DIMENSIONS ARE IN INCHES .XX 2.06 .XXX 2.030 ANGLES (PLUS OR MINUS) 0°30'		TITLE: DIAGRAM, KIB MONITOR PANEL K24W	
RELEASED TO PRODUCTION		MODEL: ALL	
BY: DATE: 7/8/96		SERIES: 97 VACATIONER/KMI/AMB	
L.E.T.		D.W.G. No. 38970362	

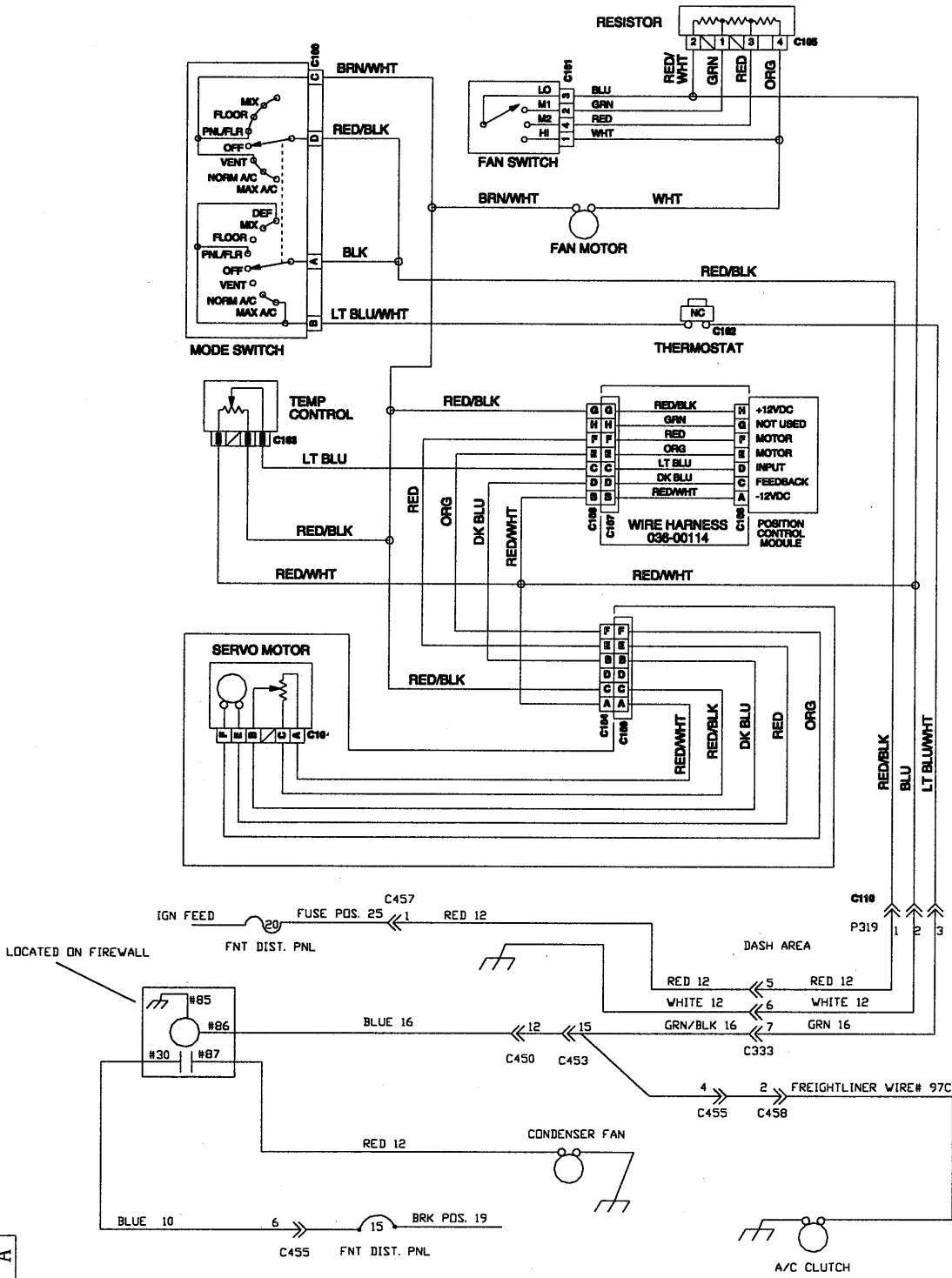
THE HOLIDAY RAMBLER CORPORATION CLAIMS PROPRIETARY RIGHTS IN THE MATERIAL DISCLOSED HEREON. NEITHER THIS DRAWING NOR ANY REPRODUCTION THEREOF MAY BE USED TO MANUFACTURE ANYTHING WITHOUT PERMISSION IN WRITING FROM HOLIDAY RAMBLER TO THE USER SPECIFICALLY REFERRING TO THIS DRAWING.

38980571 REV: _____



REV:	A	DESCRIPTION OF CHANGE	DATE	BY
B	UPDATED FOR 2000	JGA 10/99		
A	RELEASED TO PRODUCTION	XXX XXX		

THE HOLIDAY RAMBLER L.L.C. CLAIMS PROPRIETARY RIGHTS IN THE MATERIAL DISCLOSED HEREON. NEITHER THIS DRAWING NOR ANY REPRODUCTION THEREOF MAY BE USED TO MANUFACTURE ANYTHING WITHOUT PERMISSION IN WRITING FROM HOLIDAY RAMBLER L.L.C. TO THE USER SPECIFICALLY REFERRED TO IN THIS DRAWING.
UNLESS SPECIFIED DIMENSIONS ARE IN INCHES .XX .XX .XXX .XX .XX .XXX .XXX ANGLES (PLUS OR MINUS) 0-30°
APPROVED BY: E THOMAS DATE: 5/30/97
TITLE: HOLIDAY RAMBLER L.L.C. WAKARUSA, INDIANA
SHEET 1 OF 1
SERIES: END,ENDD,VAC,DIP,LAP,ADM,MON
DO NOT SCALE DRAWING
DWG.# 38980571



HARNES CONNECTORS (WIRE SIDE VIEW)	
	C100
	C101
	C102
	C103
	C104
	C105
	C106
	C107
	C108
	C109
	C110
	C333
	P455
	P458
	P457
	P319

SHEET 1 OF 1
 TITLE: DIAGRAM, A/C 12VOLT
 SERIES: ENDD
 DVG.# 38000544
 REV. A
 MONACO COACH CORP.
 HOLIDAY RAMBLER
 DO NOT SCALE DRAWING
 UNLESS SPECIFIED DIMENSIONS ARE IN INCHES X2 ANGLES PLUS OR MINUS 0-30
 CHECKED BY: E. THOMAS
 DATE: 11/16/99
 THE MONACO COACH CORP. AND ALL OF ITS SUBSIDIARIES CLAIM PROPRIETARY RIGHTS IN THE MATERIAL HEREIN. NEITHER THIS DRAWING NOR ANY REPRODUCTION THEREOF MAY BE USED IN MANUFACTURE WITHOUT PERMISSION IN WRITING FROM MONACO COACH CORP. OR ANY OF ITS SUBSIDIARIES TO THE USER SPECIFICALLY REFERRING TO THIS DRAWING.